

SenTai WPC Picnic Table Installation Guide

(STWPC12A)



WEAR WELL WPC is a new type of composites made by mixed bamboo/wood powder with HDPE and other chemical additives which are extruded from the unique high pressure and temperature machine. Because containing of nature fiber, our wear well WPC not only has high degree of anti-UV and weather resistant but also easy to machine. The WPC has the character of highly resistant to moisture and termites, no rotten, no cracking, and color stability, so it will take place of wood decking and plastic decking and will be widely used in the outdoor.

Our WPC is a safe, environmentally responsible alternative new material which doesn't need painting and glue for its special manufacturing technique and characters. The main material bamboo/wood powder is scrap from decking factory or furnish factory, and another material is recycling plastic. It will save larger number of nature wood and reduce white pollution of using of plastic to protect environment.

To ensure continued client satisfaction, we always buy the good quality raw material. Each piece is knot free and consistent in size, color and length, therefore eliminating the search for the perfect piece. The nature bamboo/wood powder is brought from professional factory and the plastic raw material is the I level recycling plastic which is brought from appointed factory in domestic.



Anhui Sentai WPC New Material Co.,Ltd.

SenTai WPC Picnic Table Installation Guide

〈STWPC12A〉

Attention before installation:

Prior to installing of any form of decking, it is recommended that you check the local building codes for any special requirements or restrictions and make the floor dry, clean and leveled. Please ask professional builder to install.

SenTai WPC M decking should not be used for columns, beams, joists, support posts or other loading bearing segments.

Failure to follow instructions may void the warranty.

Tools:

Electric drill is a must for drilling holes to screw in both the WPC keels & the decking. WPC material does not allow direct screwing by hammer or other heavy tools; otherwise it might be broken by heavy attack.

Standard wood working tools maybe used to cut the board or keels. Gloves might be needed up to installing people's option.

Our stainless screw is recommended, while other standard deck screws/nails can be used also. 1 square meter needs about 24pcs standard stainless nails at most. Because our M decking has tongue at each side for fixing, the quantity of screws can be determined by builder.

Drainage

Its water absorption rate is about 0.2%, expansion/contraction rate is about 0.5%, so a gapping about 1mm between two boards is suggested for future expansion/contraction. (See pics as below)



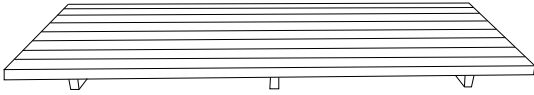
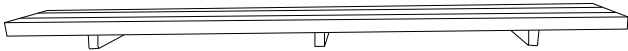

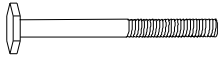
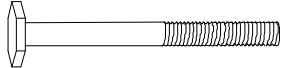
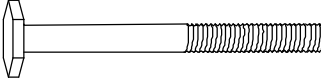


Slightly slope the decking (5 mm per meter) away from the house to allow for water run-off.

When installing a decking over a living space, proper flashing is essential.

SenTai WPC Picnic Table Installation Guide

〈STWPC12A〉

Main parts

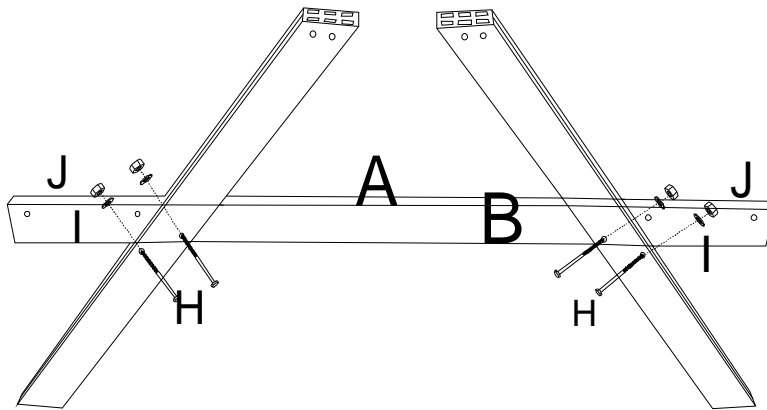
Part code	Description	Quantity	Photo
A	Table leg	8	
B	Landscape support	2	
C	Table surface	1	
D	Stool surface	2	
E	Cater-corner support under table	2	
F	M8*80 Screw	8	
G	M8*110 Screw	8	
H	M8*120 Screw	8	
I	M8 Shim	24	
J	M8 Screw nut	24	

SenTai WPC Picnic Table Installation Guide

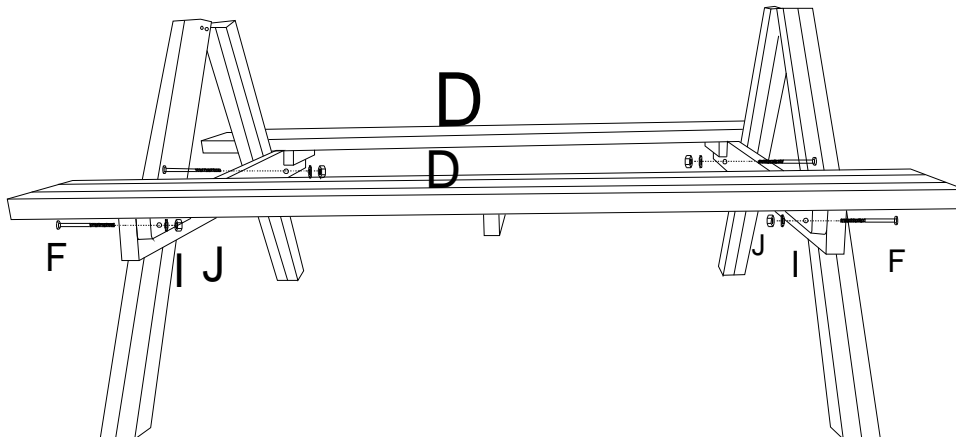
〈STWPC12A〉

Installation steps

First step: Shown as the photo, connect with the table leg (A) and landscape support (B) by M8*120 screw (H) , M8 Shim (I) and screw nut(J). Then install another side by the same way.



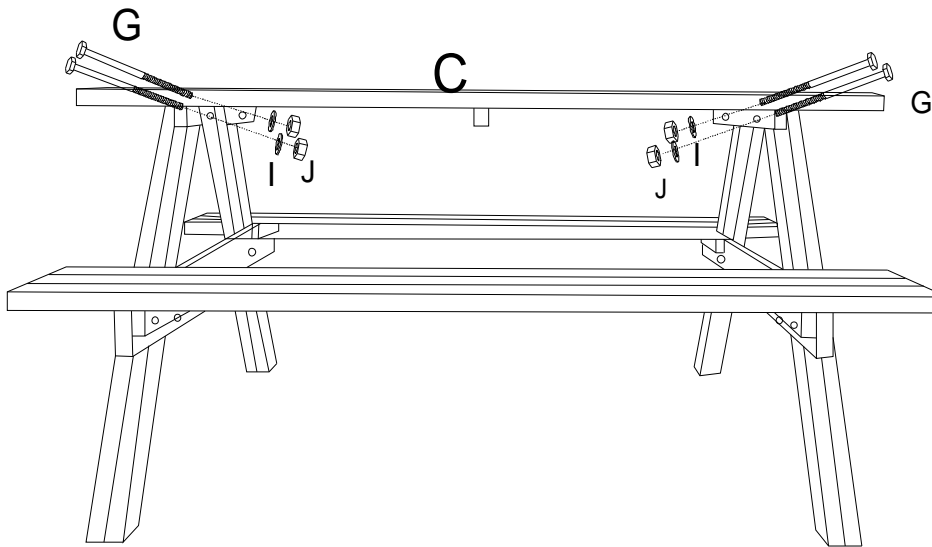
Second step: Install the stool surface(D) to the table leg (A) by M8*80 screw (F) shim (I) and screw nut(J).



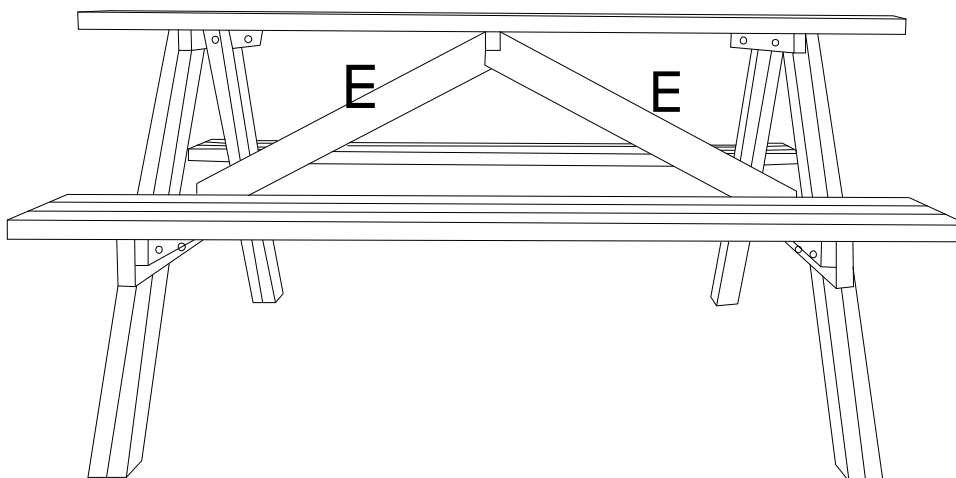
SenTai WPC Picnic Table Installation Guide

〈STWPC12A〉

Third step: Connect with table surface (C) and table leg (A) by M8*110 screw (G), shim (I) and shim nut (J) .



Fourth step: Install one side of the Cater-corner support under table (E) to the support under the table surface, and install another side to the landscape support (B).





Anhui Sentai WPC New Material Co.,Ltd.

SenTai WPC Picnic Table Installation Guide

〈STWPC12A〉

Cleaning

Possible questions	Solutions suggested
Dirt or debris	Clean the decking to remove dirt or debris by using soap, hot water and a stiff bristle.
Mold	Use conventional wood washes or cleaners that contain bleach and detergent (refer to Mold Technical Bulletin).
Chalk Markings	All colored chalk lines are permanent except white. Scrubbing the area with hot soapy water with bleach may dislodge some of the chalk
Ice and Snow	Calcium chloride or rock salt, available in many home centers, will melt ice on decking. Rinse off when first practical.
Rust Stains, Ground-In Dirt and Grime	Use a cleaning product containing oxalic or phosphoric acid base to lighten or remove the rust or dirt. Product may need to sit on stain 10-15 minutes.
Oil and Grease Stains	Scrub in a household-degreasing agent as soon as the stain occurs. Rinse with hot water.
Berries and Wine Stains	Mix bleach into hot water according to the bleach-packaging label. Scrub the stain lightly and rinse thoroughly. The stain may not disappear entirely.
Ink Stains	Inks may be permanent. However, scrubbing with hot soapy water may lighten the stain. Rinse thoroughly.

Note: Periodic cleaning of SenTai WPC decking is suggested, even if it appears clean, is important to prevent the build-up of pollen/debris that can cause mold. If unsure about the product being used to clean/remove stains from your deck, it is recommended that you test a small area in an inconspicuous place to determine if the product will cause any unwanted discoloration. Using a spray nozzle may use commercial pressure washers to remove stains, ground in dirt, or mold.



Anhui Sentai WPC New Material Co.,Ltd.

SenTai WPC Grooved Decking Installation Guide

〈ST01A、ST01B、ST01C、ST01D、ST01F、ST01J、ST05A〉

Color Variations:

Although we have already added colorants and stabilizers during production, the decking will still have slight color variations. This is a natural occurrence in the fibers and plastic used in the manufacturing process

Due to variations in the manufacture runs, it is recommended that all required composite decking materials be purchased at the same time and an allowance for coverage is recommended. SenTai decking will lighten over time and color variation are not covered under the warranty

Limited Warranty:

SenTai WPC decking comes with a 15-year limited warranty, which should be under proper usage that provides comprehensive coverage against splintering, splitting, rot or decay, and in termite damage. Our products have been tested by China's government organization, which issued a formal TEST REPORT for our products quality. We can provide this TEST REPORT copy if it is needed.

Attention:

Wood Plastic Composites has many good features in outdoor usage, while it also has some shortages. The most evident shortage is its IMPACT RESISTANCE is not very good, this is decided by inside structure of this material.

Here is our recommendation:

Please try to keep this material away from heavy impact or attack during usage.

Please take care of it during transportation, installation and storage, avoid its falling from high place.

For more information and customer service please call 0086-0572-2127866 or email to hzshentai@vip.163.com.

Website: www.sentai-wpc.com