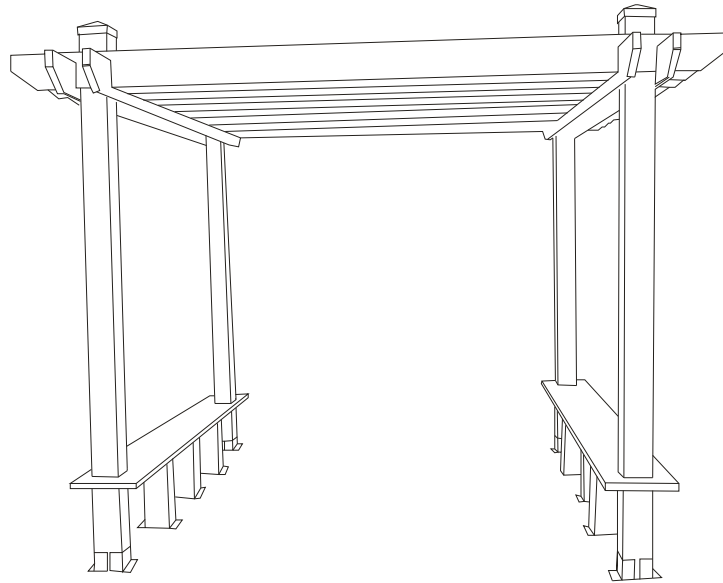
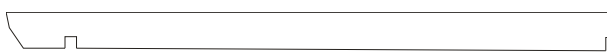
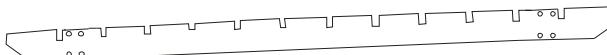






STWPC07 PERGOLAS INSTALLATION GUIDE



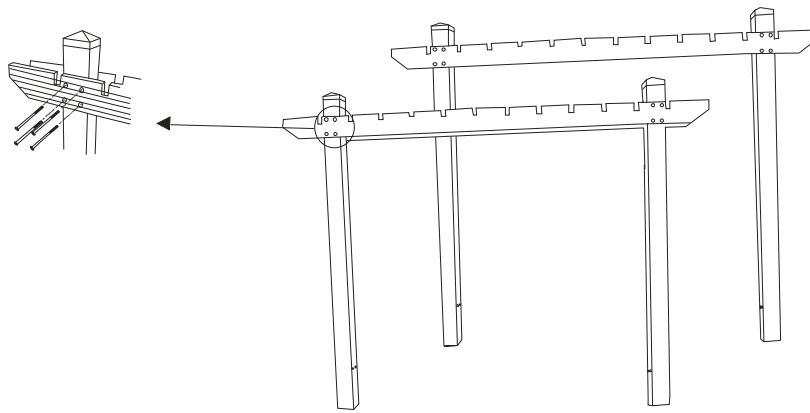
一、Parts

NO.	Size(width x thickness)	Quantity	pic
XYJ01A	290x14.6x3.1cm	12	
XYJ01A	290x 14.6x3.1cm	4	
STR02	230x 12x12cm	4	
XYJ01A	290x 30x3.1cm	2	

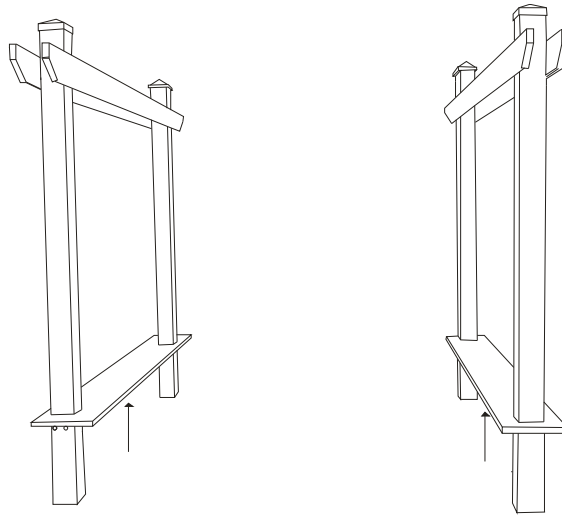
STR02	60x12x12cm	6	
STR04	60x80x35cm	10	

二、Installation steps

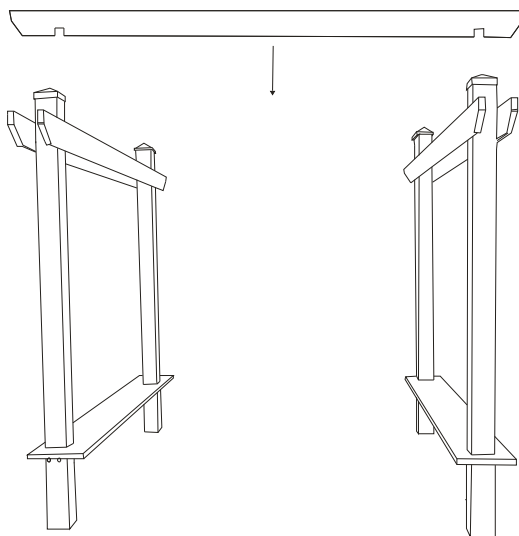
1,



2,



3,



4,

