



Anhui Sentai WPC New Material Co.,ltd.

WPC Wall Panel (ST02) Installation Guide



WEAR WELL WPC is a new type of composites made by mixed bamboo/wood powder with HDPE and other chemical additives which are extruded from the unique high pressure and temperature machine. Because containing of nature fiber, our wear well WPC not only has high degree of anti-UV and weather resistant but also easy to machine. The WPC has the character of highly resistant to moisture and termites, no rotten, no cracking, and color stability, so it will take place of wood decking and plastic decking and will be wildly used in the outdoor.

Our WPC is a safe, environmentally responsible alternative new material which doesn't need painting and glue for its special manufacturing technique and characters. The main material bamboo/wood powder is scrap from decking factory or furnish factory, and another material is recycling plastic. It will save larger number of nature wood and reduce white pollution of using of plastic to protect environment.

To ensure continued client satisfaction, we always buy the good quality raw material. Each piece is knot free and consistent in size, color and length, therefore eliminating the search for the perfect piece. The nature bamboo/wood powder is brought from professional factory and the plastic raw material is the I level recycling plastic which is brought from appointed factory in domestic.



Anhui Sentai WPC New Material Co.,Ltd.

WPC Wall Panel (ST02) Installation Guide

Attention before installation:

Prior to installing of any form of decking, it is recommended that you check the local building codes for any special requirements or restrictions and make the floor dry, clean and leveled. Please ask professional builder to install.

SenTai WPC M decking should not be used for columns, beams, joists, support posts or other loading bearing segments.

Failure to follow instructions may void the warranty.

Tools:

Electric drill is a must for drilling holes to screw in both the WPC keels & the decking. WPC material does not allow direct screwing by hammer or other heavy tools; otherwise it might be broken by heavy attack.

Standard wood working tools maybe used to cut the board or keels. Gloves might be needed up to installing people's option.

Our stainless screw is recommended, while other standard deck screws/nails can be used also. 1 square meter needs about 24pcs standard stainless nails at most. Because our M decking has tongue at each side for fixing, the quantity of screws can be determined by builder.

Drainage

Its water absorption rate is about 0.2%, expansion/contraction rate is about 0.5%, so a gapping about 1mm between two boards is suggested for future expansion/contraction. (See pics as below)

Slightly slope the decking (5 mm per meter) away from the house to allow for water run-off.

When installing a decking over a living space, proper flashing is essential.



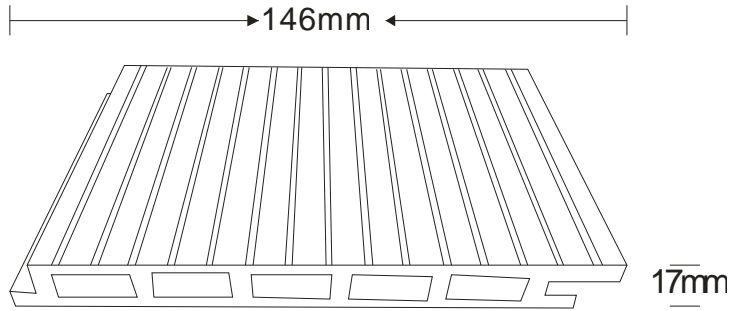
Anhui Sentai WPC New Material Co.,Ltd.

WPC Wall Panel (ST02) Installation Guide

Main parts

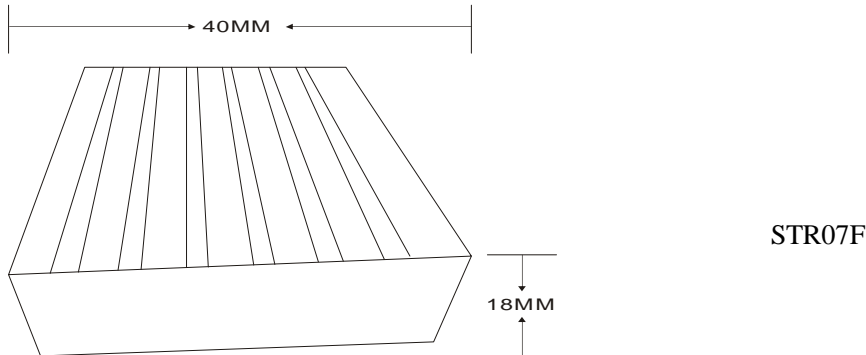
ST02A Wall Panel

Specification: (Width) 14.6cmx (Height) 1.7cmx (Length) which ever

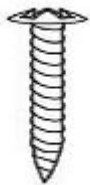


Keels

Specification: (Width) 4.0cm x 1.8(Height) cm x(Length) which ever



Stainless screw (6X60mm)



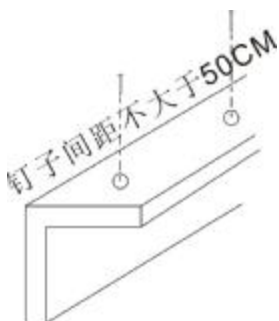
ST10A

Expanding tube



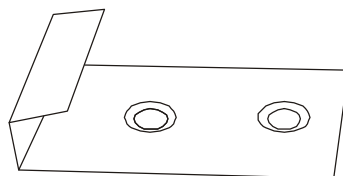
ST08C

Corner Cover (40X40mm)



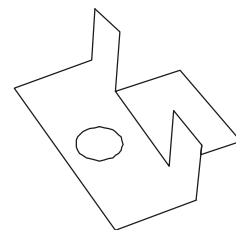
ST12A

Stainless fitting



A

ST09E

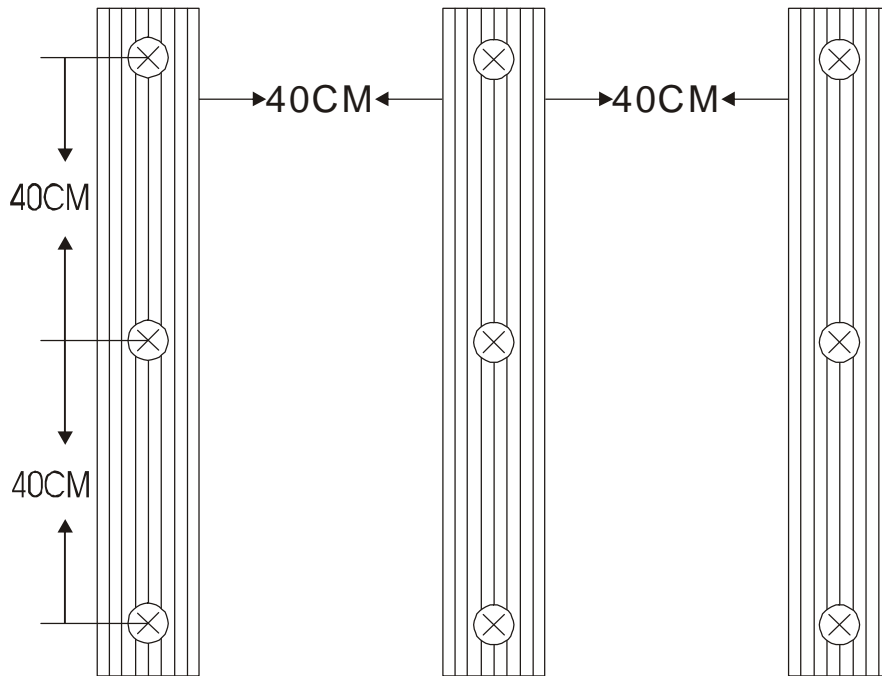


B

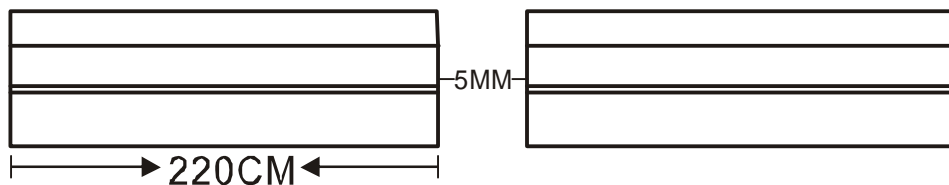
Installation steps

First step: fix the keel

Arrange the keels equably on the concrete flooring. We suggest there is 30cm distance between each keel. There should be 5mm distance between connecting of keels to avoid expanse (see pic 2). Fix the expanding tube on the wall no far than 40cm and drill on the keel at the same place of expanding tube. Then fix the keel to the wall with screws. Please do not leave the nail/screw heads above the top surface; otherwise it will make the surface of WPC jagged. (See pic1)



Pic1



Pic 2

Anhui Sentai WPC New Material Co.,Ltd.

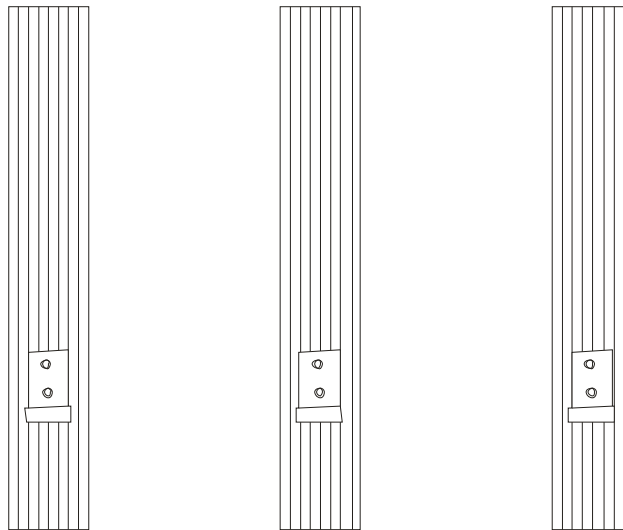
WPC Wall Panel (ST02) Installation Guide

Second step: fix wall panel

A. Horizontal installation

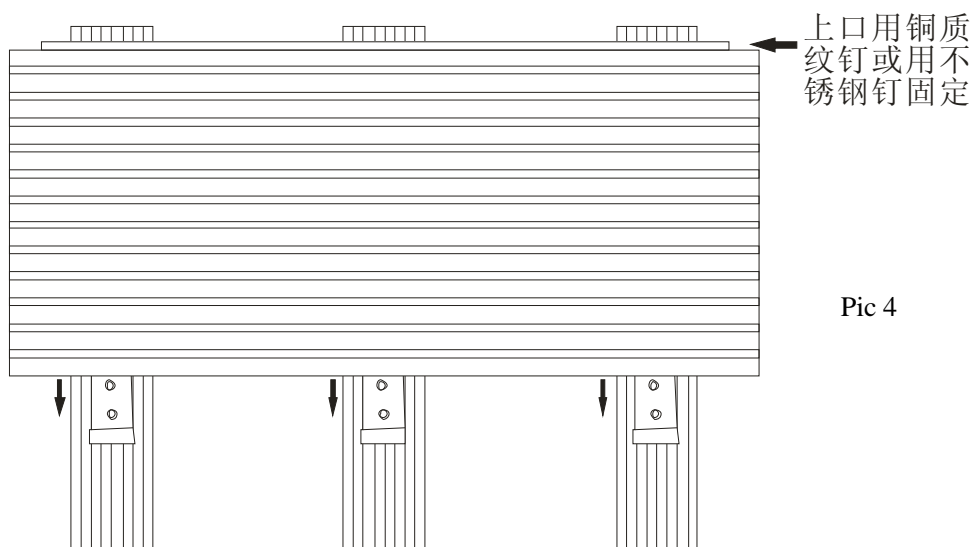
Fix the stainless fitting A on the keel horizontally with 3X18mm screws, fix the below tongue of wall panel to the fitting and the up tongue to the keel with nails.

Please keep suitability distance between each to avoid expanse. Side cover can be used to reinforce. (See Pic 3&4)



Pic 3

The up tongue should be reinforced by copper or stainless nail



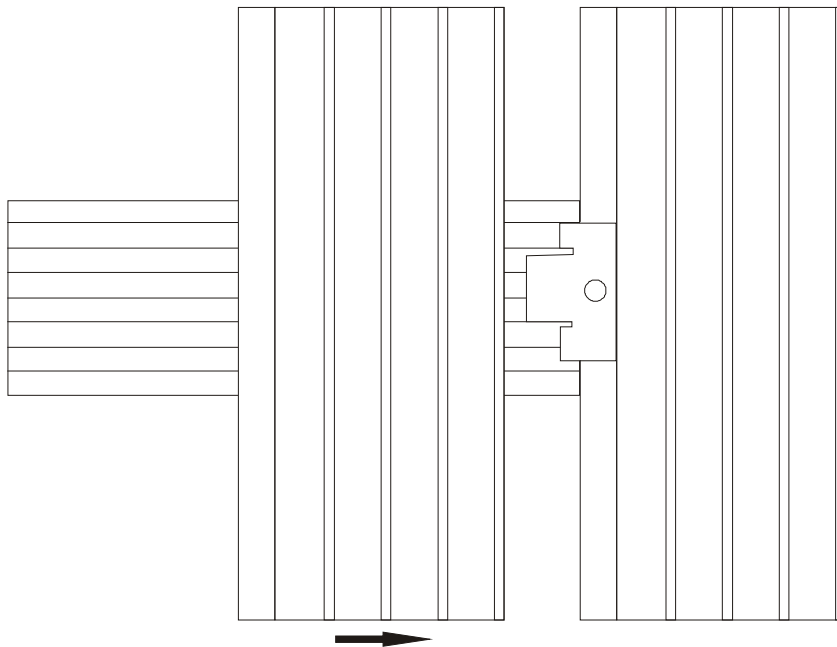
Pic 4

Anhui Sentai WPC New Material Co.,Ltd.

WPC Wall Panel (ST02) Installation Guide

B. Vertical installation

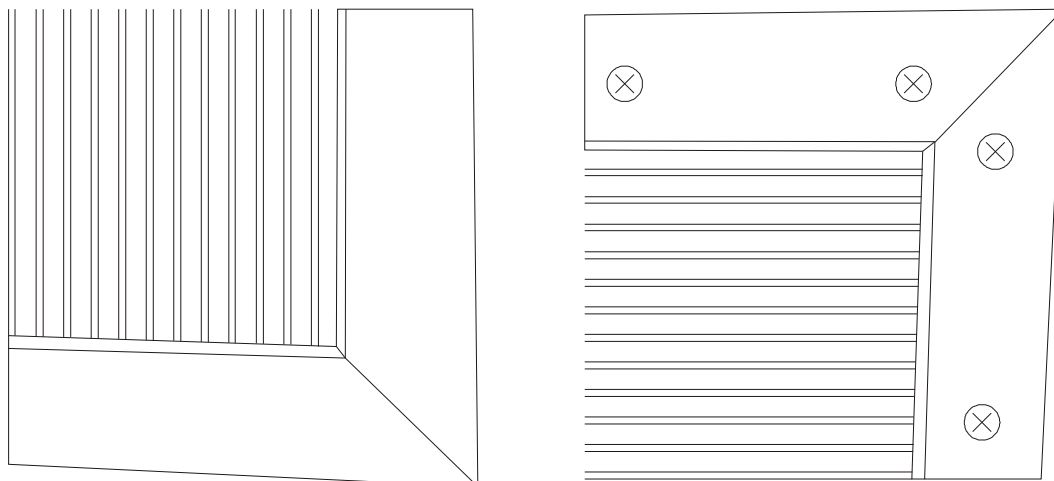
Fix the one side of first panel to the keel with stainless screw, and the other side to the keel with stainless fitting B. and then one side of second panel can fix to the stainless fitting of the first one. **Please keep suitability distance between each to avoid expanse.** Side cover can be used to reinforce. (See Pic 5)



Pic 5

Third step: cover

Install with corner cover with stainless screw or copper nail. (See pic 6)



Pic 6

Attention: it is suggested that more than two people working together during installing the panel. This WPC material may be broken if attacked or fell from high.



Anhui Sentai WPC New Material Co.,Ltd.

WPC Wall Panel (ST02) Installation Guide

Cleaning

| Possible questions | Solutions suggested |
|---------------------------------------|---|
| Dirt or debris | Clean the decking to remove dirt or debris by using soap, hot water and a stiff bristle. |
| Mold | Use conventional wood washes or cleaners that contain bleach and detergent (refer to Mold Technical Bulletin). |
| Chalk Markings | All colored chalk lines are permanent except white. Scrubbing the area with hot soapy water with bleach may dislodge some of the chalk |
| Ice and Snow | Calcium chloride or rock salt, available in many home centers, will melt ice on decking. Rinse off when first practical. |
| Rust Stains, Ground-In Dirt and Grime | Use a cleaning product containing oxalic or phosphoric acid base to lighten or remove the rust or dirt. Product may need to sit on stain 10-15 minutes. |
| Oil and Grease Stains | Scrub in a household-degreasing agent as soon as the stain occurs. Rinse with hot water. |
| Berries and Wine Stains | Mix bleach into hot water according to the bleach-packaging label. Scrub the stain lightly and rinse thoroughly. The stain may not disappear entirely. |
| Ink Stains | Inks may be permanent. However, scrubbing with hot soapy water may lighten the stain. Rinse thoroughly. |

Note: Periodic cleaning of SenTai WPC decking is suggested, even if it appears clean, is important to prevent the build-up of pollen/debris that can cause mold. If unsure about the product being used to clean/remove stains from your deck, it is recommended that you test a small area in an inconspicuous place to determine if the product will cause any unwanted discoloration. Using a spray nozzle may use commercial pressure washers to remove stains, ground in dirt, or mold.



Anhui Sentai WPC New Material Co.,Ltd.

WPC Wall Panel (ST02) Installation Guide

Color Variations:

Although we have already added colorants and stabilizers during production, the decking will still have slight color variations. This is a natural occurrence in the fibers and plastic used in the manufacturing process

Due to variations in the manufacture runs, it is recommended that all required composite decking materials be purchased at the same time and an allowance for coverage is recommended. SenTai decking will lighten over time and color variation are not covered under the warranty

Limited Warranty:

SenTai WPC decking comes with a 15-year limited warranty, which should be under proper usage that provides comprehensive coverage against splintering, splitting, rot or decay, and in termite damage. Our products have been tested by China's government organization, which issued a formal TEST REPORT for our products quality. We can provide this TEST REPORT copy if it is needed.

Attention:

Wood Plastic Composites has many good features in outdoor usage, while it also has some shortages. The most evident shortage is its IMPACT RESISTANCE is not very good, this is decided by inside structure of this material.

Here is our recommendation:

Please try to keep this material away from heavy impact or attack during usage.

Please take care of it during transportation, installation and storage, avoid its falling from high place.

For more information and customer service please call 0086-0572-2127866 or email to hzshentai@vip.163.com.

Website: www.sentai-wpc.com

Contact person Susan Yang.