

## Anhui Sentai WPC New Material Co.,Ltd.

### WPC Grooved Decking Installation Guide



SenTai WPC “M” decking is the optimum choice for all decking applications and installs as easily as traditional wood decking. The surface looks great of its natural wood appearance with minimal maintenance. We mix the natural fiber (bamboo/wood powder) with PE into a strong, moisture-resistant composite, it is engineered to endure harsh weathers abuse of all sorts including rainstorms, rots, salt, sand and heavy traffic. This revolutionary solution allows you to just sit back and enjoy your deck as time goes by.

It is a safe, environmentally responsible alternative to traditional decks, conserving energy and resources. Not only does this save your time over the maintenance, but it will save you money as well. Do the math and you'll know.

To ensure continued client satisfaction, we always buy the good quality raw material. Each piece is knot free and consistent in size, color and length, therefore eliminating the search for the perfect piece. It looks, smells and handles like wood but has the durability of plastic.

The Diagrams and instructions in this guide are for illustration purposes only and are not meant or implied to replace a licensed professional. Any construction or use of SenTai WPC Decking must be in accordance with all local zoning and/or building codes. The consumer assumes all risks and liability associated with the construction and use of the product.



# **Anhui Sentai WPC New Material Co.,ltd.**

## WPC Grooved Decking Installation Guide

Prior to install any form of decking, it is recommended that you check the local building codes for any special requirements or restrictions.

SenTai WPC “M” decking should not be used for columns, beams, joists, support posts or other loading bearing segments.

Failure to follow instructions may void the warranty.

### **Tools:**

Electric drill is a must for drilling holes to screw in both the WPC keels & the decking. WPC material does not allow direct screwing by hammer or other heavy tools; otherwise it might be broken by heavy attack.

Standard woodworking tools maybe used to cut the board or keels. It is recommended that all blades have a carbide tip. Gloves might be needed up to installing people’s option.

Our stainless screw is recommended, while other standard deck screws/nails can be used also. Hot-dipped, ceramic coated or stainless screws are recommended because they resist rust and stains.

### **Drainage**

Its water absorption rate is about 0.2%, expansion/contraction rate is about 0.5%, so a gapping about 1mm between two boards is suggested for future expansion/contraction.

Slightly slope the decking (5mm per meter) away from the house to allow for water run-off

When installing a decking over a living space, proper flashing is essential.

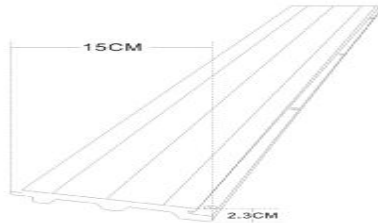
The Diagrams and instructions in this guide are for illustration purposes only and are not meant or implied to replace a licensed professional. Any construction or use of SenTai WPC Decking must be in accordance with all local zoning and/or building codes. The consumer assumes all risks and liability associated with the construction and use of the product.

## WPC Grooved Decking Installation Guide

### Main parts

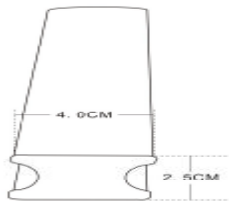
**SenTai WPC “M” decking board with groove**

Specification: 15cm(W)x 2.3cm(H)x(L) which ever



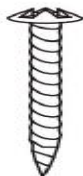
**SenTai WPC keels**

Specification: 4.0cm(W) x 2.5(H) cm x(L) which ever



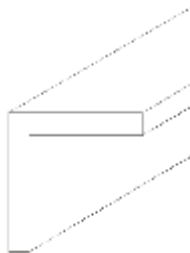
**Stainless screw**

Specification: 40mm(L) X 4mm(Diameter), 30mm(L) X 4mm(Diameter)



**SenTai WPC corner trim**

Specification: 4.8cm(L) X 4.8cm(W)



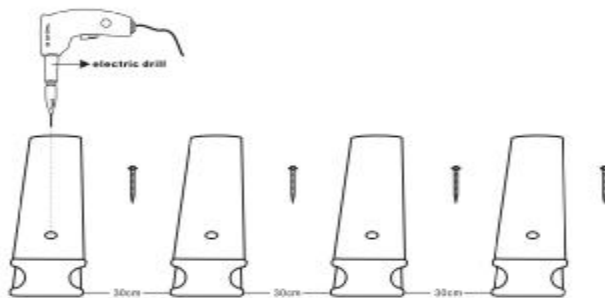
The Diagrams and instructions in this guide are for illustration purposes only and are not meant or implied to replace a licensed professional. Any construction or use of SenTai WPC Decking must be in accordance with all local zoning and/or building codes. The consumer assumes all risks and liability associated with the construction and use of the product.

### Installation steps

#### **First Step:** Fix the WPC keels/joists

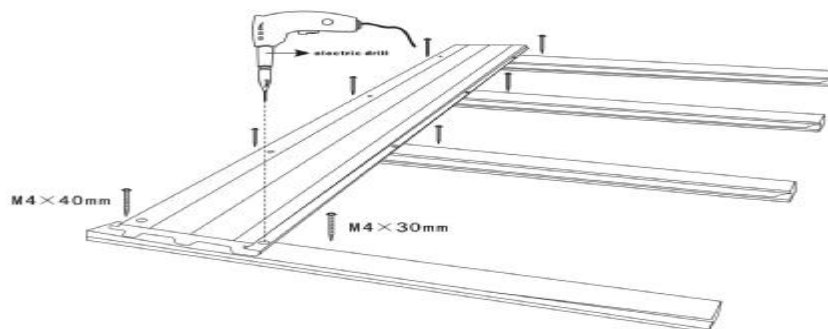
Arrange the WPC keels on the concrete floor on line with a suggested average gap 30cm between each other. Drill holes on the keel by using an electric drill, and then fix the keels to the concrete floor with inflation nails.

**Attention:** Please don't directly screw in nails with heavy tools. Do not over drive or leave the nail/screw heads above the top surface.



#### **Second step:** Fix the first “M” decking

In order to reach a uniform finish of your entire floor, when installing the first M decking, you can remove the outside tongue by carpenter tools, or use our corner trim to cover the tongue, which can picture frame your deck. Then drill holes by Electric drill to screw (M4x40mm) in stainless nails on the surface of the decking or on the corner trim to fix them together to the keels. On the groove side of the first M decking, please drill a 3mm holes to screw in nails (M4x30mm) fixing the deck's groove to the keels.

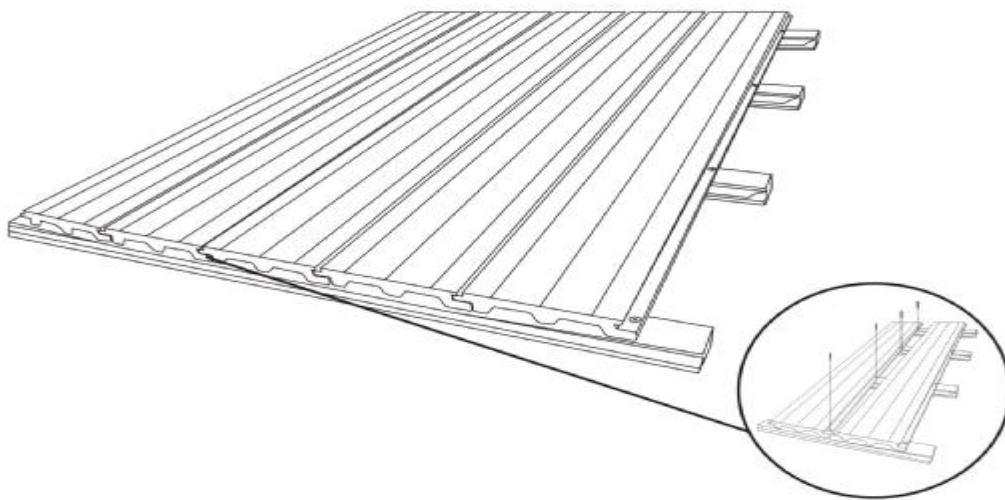


The Diagrams and instructions in this guide are for illustration purposes only and are not meant or implied to replace a licensed professional. Any construction or use of SenTai WPC Decking must be in accordance with all local zoning and/or building codes. The consumer assumes all risks and liability associated with the construction and use of the product.

### WPC Grooved Decking Installation Guide

#### **Third step:** Fix the second “M” decking

Click the tongue of the second “M” flooring to the groove of the first “M” flooring. Then drill holes by an electric drill on the groove side of the second deck for screwing in nails (M4x40mm) to fix the deck to the keels. The third and all of the rest decking should be installed according to the second “M” flooring. In this way, all of the decking will fix to each other very firmly.



#### **Suggestions:**

Theoretically speaking, 24pcs stainless nails are needed when installing one square meter decking, while actually it is not necessary to screw so many nails to fix, because our SenTai WPC “M” decking is designed to have tongue & groove in its two sides, which already can joint to each other very well. So it is suggested that installation people optionally choose some place to screw nails, in order to save installing time and nails cost.

It is suggested that more than two people working together during installing the decking. This WPC material is quite heavy because of its high density, it might be difficult for one person to hold or move.

The Diagrams and instructions in this guide are for illustration purposes only and are not meant or implied to replace a licensed professional. Any construction or use of SenTai WPC Decking must be in accordance with all local zoning and/or building codes. The consumer assumes all risks and liability associated with the construction and use of the product.

**Curve Solution**

SenTai WPC outdoor decking cannot only be installed in a straight road, but also can be installed in a curve, you can cut each piece into a wanted angle, and then place on the curve as per your demand.

Following there are two curve examples:



The Diagrams and instructions in this guide are for illustration purposes only and are not meant or implied to replace a licensed professional. Any construction or use of SenTai WPC Grooved Decking must be in accordance with all local zoning and/or building codes. The consumer assumes all risks and liability associated with the construction and use of the product.

### Cleaning

Possible questions	Solutions suggested
Dirt or debris	Clean the decking to remove dirt or debris by using soap, hot water and a stiff bristle.
Mold	Use conventional wood washes or cleaners that contain bleach and detergent (refer to Mold Technical Bulletin).
Chalk Markings	All colored chalk lines are permanent except white. Scrubbing the area with hot soapy water with bleach may dislodge some of the chalk
Ice and Snow	Calcium chloride or rock salt, available in many home centers, will melt ice on decking. Rinse off when first practical.
Rust Stains, Ground-In Dirt and Grime	Use a cleaning product containing oxalic or phosphoric acid base to lighten or remove the rust or dirt. Product may need to sit on stain 10-15 minutes.
Oil and Grease Stains	Scrub in a household-degreasing agent as soon as the stain occurs. Rinse with hot water.
Berries and Wine Stains	Mix bleach into hot water according to the bleach-packaging label. Scrub the stain lightly and rinse thoroughly. The stain may not disappear entirely.
Ink Stains	Inks may be permanent. However, scrubbing with hot soapy water may lighten the stain. Rinse thoroughly.

Note: Periodic cleaning of SenTai WPC decking is suggested, even if it appears clean, is important to prevent the build-up of pollen/debris that can cause mold. If unsure about the product being used to clean/remove stains from your deck, it is recommended that you test a small area in an inconspicuous place to determine if the product will cause any unwanted discoloration. Using a spray nozzle may use commercial pressure washers to remove stains, ground in dirt, or mold. Do not use steam nozzle. Use cold water and keep the spray nozzle at least one foot away from the deck, The use of a pressure washer with a greater than 1,500 PSI and/or applied closer than 10" from the deck surface could damage the decking surface and result in a loss of warranty coverage. Decking does not recommend sanding. Sanding will change the appearance of the surface of WPC material.

The Diagrams and instructions in this guide are for illustration purposes only and are not meant or implied to replace a licensed professional. Any construction or use of SenTai WPC Grooved Decking must be in accordance with all local zoning and/or building codes. The consumer assumes all risks and liability associated with the construction and use of the product.



## **Anhui Sentai WPC New Material Co.,Ltd.**

### WPC Grooved Decking Installation Guide

#### **Cleaning**

Possible questions	Solutions suggested
Dirt or debris	Clean the decking to remove dirt or debris by using soap, hot water and a stiff bristle.
Mold	Use conventional wood washes or cleaners that contain bleach and detergent (refer to Mold Technical Bulletin).
Chalk Markings	All colored chalk lines are permanent except white. Scrubbing the area with hot soapy water with bleach may dislodge some of the chalk
Ice and Snow	Calcium chloride or rock salt, available in many home centers, will melt ice on decking. Rinse off when first practical.
Rust Stains, Ground-In Dirt and Grime	Use a cleaning product containing oxalic or phosphoric acid base to lighten or remove the rust or dirt. Product may need to sit on stain 10-15 minutes.
Oil and Grease Stains	Scrub in a household-degreasing agent as soon as the stain occurs. Rinse with hot water.
Berries and Wine Stains	Mix bleach into hot water according to the bleach-packaging label. Scrub the stain lightly and rinse thoroughly. The stain may not disappear entirely.
Ink Stains	Inks may be permanent. However, scrubbing with hot soapy water may lighten the stain. Rinse thoroughly.

Note: Periodic cleaning of SenTai WPC “M” decking is suggested, even if it appears clean, is important to prevent the build-up of pollen/debris that can cause mold. If unsure about the product being used to clean/remove stains from your deck, it is recommended that you test a small area in an inconspicuous place to determine if the product will cause any unwanted discoloration. Using a spray nozzle may use commercial pressure washers to remove stains, ground in dirt, or mold. Do not use steam nozzle. Use cold water and keep the spray nozzle at least one foot away from the deck, The use of a pressure washer with a greater than 1,500 PSI and/or applied closer than 10" from the deck surface could damage the decking surface and result in a loss of warranty coverage.

The Diagrams and instructions in this guide are for illustration purposes only and are not meant or implied to replace a licensed professional. Any construction or use of SenTai WPC Decking must be in accordance with all local zoning and/or building codes. The consumer assumes all risks and liability associated with the construction and use of the product.

### **Color Variations:**

Although we have already added colorants and stabilizers during production, the decking will still have slight color variations. This is a natural occurrence in the fibers and plastic used in the manufacturing process

Due to variations in the manufacture runs, it is recommended that all required composite decking materials be purchased at the same time and an allowance for coverage is recommended. SenTai decking will lighten over time and color variation are not covered under the warranty

We do not recommend sanding your deck to remove stains or scratches, Sanding may produce unwanted color variation and will change the appearance of the finish of your composite deck.

### **Limited Warranty:**

SenTai WPC decking comes with a 15-year limited warranty, which should be under proper usage that provides comprehensive coverage against splintering, splitting, rot or decay, and in termite damage. Our products have been tested by China's government organization, which issued a formal TEST REPORT for our products quality. We can provide this TEST REPORT copy if it is needed.

Exclusions: Items damaged due to acts of vandalism, misuse, or improper installation is not covered. Proof of purchase (dated register receipt) is required for warranty claims. We don't reimburse for transportation or delivery costs, or compensate the individual or any outside party for assembling or disassembling the product.

### **Attention:**

Although Wood Plastic Composites has many good features in outdoor usage, while it has some shortages also. The most evident shortage is its IMPACT RESISTANCE is not very good, this is decided by inside structure of this material.

Here is our recommendation:

Please try to keep this material away from heavy impact or attack during usage.

Please take care of it during transportation, installation and storage, avoid its falling from high place.

For more information and customer service please call 0086-0572-2127866 or email to [hzshentai@vip.163.com](mailto:hzshentai@vip.163.com).

Website: [www.sentai-wpc.com](http://www.sentai-wpc.com)

Contact person Susan Yang.

The Diagrams and instructions in this guide are for illustration purposes only and are not meant or implied to replace a licensed professional. Any construction or use of SenTai WPC Decking must be in accordance with all local zoning and/or building codes. The consumer assumes all risks and liability associated with the construction and use of the product.



森泰塑木地板是以天然木/竹粉为主要原料,加入塑料(主要是聚乙烯),再加入必要的化学助剂(如抗氧化剂,润滑剂,着色剂等)在高温高压下,经过专业塑木挤出设备挤出成型的.因为有了天然纤维的成份,塑木有着更好的抗 UV(紫外线)性能和更低的热胀冷缩性能,并且像木材一样易于加工。塑木户外地板在户外使用时,因其具有吸水率低,不易腐烂,不易长虫,不易开裂,颜色变化不明显,不易变形,无需维护等特点,必将逐步替代木地板,塑料地板在户外的使用。

由于塑木的特殊生产工艺和独特产品特性,它不需要油漆,不含胶水,是一种对人类更加健康,对自然更加环保的新型材料.塑木的主要原料天然木/竹粉是地板厂或家具厂的废弃物,而另一主要原料塑料回料则是回收的塑料制品,它的推广应用可以节省大量的天然木材,减少广泛使用的塑料制品产生的白色污染,有利于保护生态环境。

为了保证产品质量,使产品经久耐用,保证材料在使用过程中的稳定性,以解决客户的后顾之忧,我司在原料采购和生产工艺上都有非常严格的控制.我们采购的天然木/竹粉是由专业木/竹粉厂家生产的,使用的塑料原料都是从国外进口的一级塑料回料。

# 安徽森泰塑木新材料有限公司

## M 型塑木地板(安装)使用说明书

### 安装前的注意事项:

从安装的专业性考虑, 建议由专业施工人员进行地板安装, 安装前请清洁地面使地面干燥, 平整, 干净。如果有建筑行业规定或地方规定的, 请按照规定安装。

森泰 M 型塑木地板, 做为地板不可用于其它用途, 如: 建筑支架, 建筑连接架, 支撑, 或者是其他承重物的组件。

如果没有遵从安装说明及注意事项所述内容施工而导致的后果, 我司将不予承担。

### 可能需要使用的工具:

电钻是安装过程中必须使用的工具; 因为塑木材料脆性较大, 在固定此材料的地板和龙骨时, 都必须先用电钻引孔, 再旋入镙丝来固定, 而不可以直接钉钉, 否则材料可能会被钉破。

在安装过程中, 普通的木工工具也是需要的。施工过程中最好使用劳保手套。

安装时, 我们推荐使用我司配套的不锈钢镙丝来固定。每个平方需要最多 24 个镙丝。但是实际应用时, 往往不需要钉这么多不锈钢镙丝。由于我司的 M 板左右两侧已经设计了阴阳槽互相卡紧, 所以刺入镙丝的数量由施工人员酌情而定, 不需要引孔刺入过多镙丝, 每排只需要几颗能将 M 板固定即可。

### 排水问题:

塑木材料的吸水率约是 0.2%, 膨胀率约为 0.5%, 所以再安装此 M 板时, 每块板之间, 请留大约 1MM 的空隙, 做为以后材料可能会产生的热胀冷缩之用。

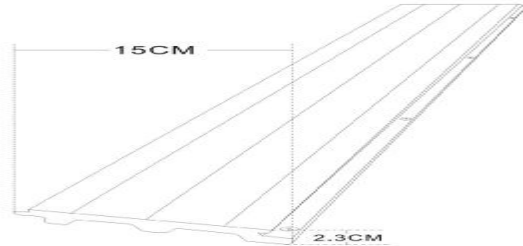
为达到最好的排水效果, 在安装时, 可以在整体上使地板有 5 毫米的倾斜度。

尽量使安装地面平整, 如果地板不得不安装在有一些活动的地方, 请不要把地板固定的太死, 要留一些活动的余地。

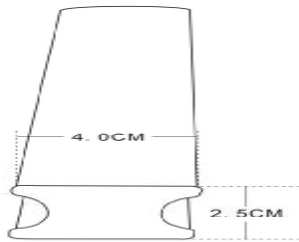
## M 型塑木地板(安装)使用说明书

### 主要组件:

“M”型地板 规格:15cm (W) x2.3cm(H) x 任意(L)



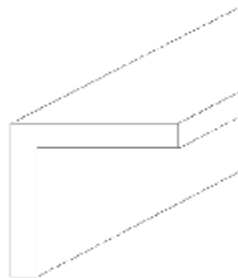
塑木龙骨 规格: 4.0cm(W) x 2.5(H) cm x 任意(L)



不锈钢镙丝 规格: 40mm(L) X 4mm(Diameter), 30mm(L) X 4mm(Diameter)



森泰塑木地板封边条 规格: 4.8cm(L) X 4.8cm(W)

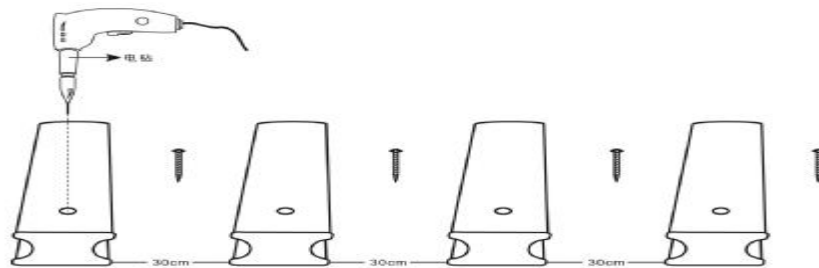


## M 型塑木地板(安装)使用说明书

### 安装步骤:

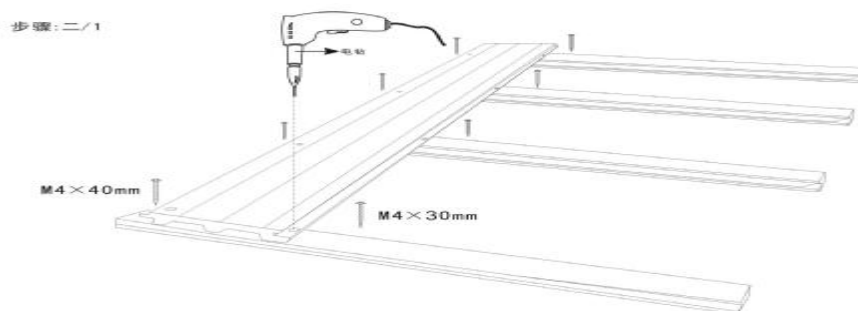
#### 第一步：固定塑木龙骨

将塑木龙骨均匀排列，铺在平整的水泥地面上。建议每根龙骨之间的间隔距离留 30 厘米。用电钻在龙骨上引孔，孔径应略小于不锈钢镙丝的直径，再把镙丝旋入已钻好的孔内将龙骨固定到水泥地面上。施工时钉头应全部旋入龙骨，不要裸露在龙骨外面，否则有可能会造成地板板面不平整。



#### 第二步：固定第一块 M 板

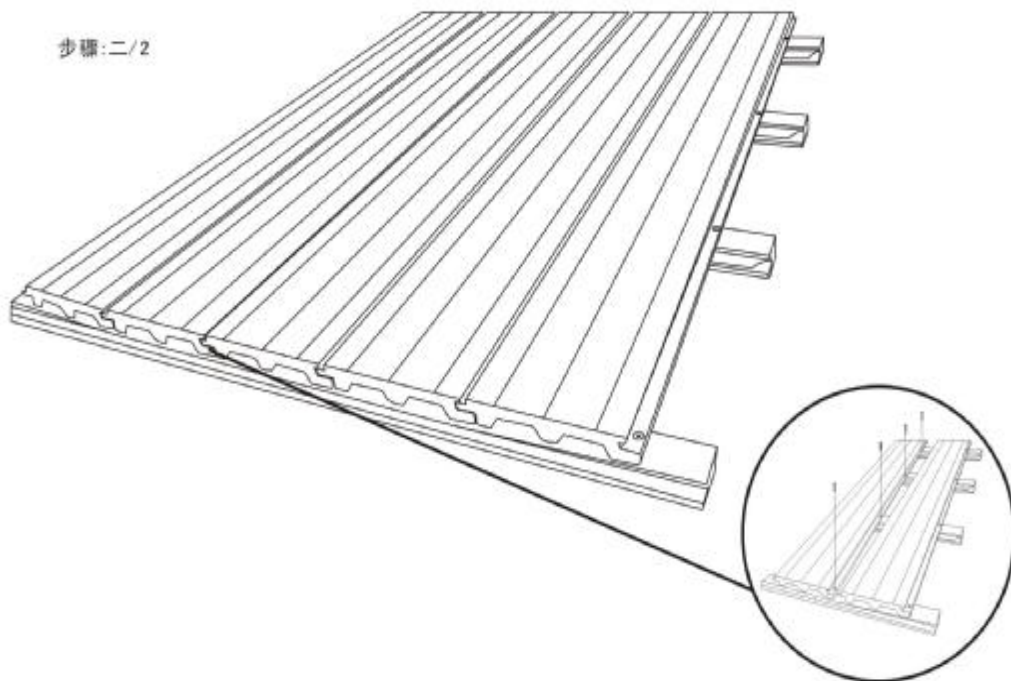
每块 M 板的左右两侧分别有阴阳槽。在铺装第一块地板时，可以用木工工具将第一块地板外侧阳槽部分锯掉或磨去，然后在地板表面上用电钻引孔，并旋入钉以将其固定在龙骨上。另一个方法是，用我们公司特配的封边条卡住第一块地板最外侧的阳槽，再在其上用电钻引孔，旋入钉固定。安装封边条之后，地板看起来会像镶上镜框，所以使用后一种方法会使完工后的地板板面更有美观效果，建议使用。再在第一块地板的内侧阴槽上电钻引孔旋入镙丝以将其固定到龙骨上。



## M 型塑木地板(安装)使用说明书

### 第三步：固定第二块 M 板

将第二块 M 板的阳槽卡住第一块 M 板的阴槽位置，再在第二块 M 板的阴槽侧表面用电钻引孔，旋入镙丝以将其固定到龙骨上，镙丝之间的间距可在安装进程中由施工员自行控制，无需太密，保证其牢固度即可。后面的地板安装方法与此相同，在最后一块板的外侧的阳槽部分，可以同样采取去边或镶封边框的方式来处理。



**注意：**在安装时，请尽量安排两个以上施工人员共同施工。因为该材料脆性大，韧性不足，如果受到重物撞击或从高处摔落极可能会破损。

## M 型塑木地板(安装)使用说明书

### 铺弯道

森泰塑木地板不只可以铺装成笔直的道路,还可以铺在弯道上.在铺弯道的时候,需要根据弯道的长短和角度对每一块板的两端进行切割后再铺装.

以下是两个弯道的铺装实例:



### 使用说明和清洁注意事项

可能出现的问题	解决方法
灰尘, 尘垢	用硬毛刷蘸热肥皂水来冲洗去除
霉斑	用普通的擦洗木制品霉斑的药剂或漂白水拭除
粉笔印迹	除了白色粉笔, 其他颜色一旦印上就不能去除, 可使用已经加入了漂渍剂的热肥皂水去刮擦去除
冰或雪	购买氯化钙或岩石盐, 可以融化冰或雪, 再用热肥皂水来冲洗去除
污点, 土和污秽物	含草酸或磷酸的洗涤用品抹到污点上 10-15 分钟, 可以去除
油渍	一旦发现油渍污点, 请即刻用家常用去油污的洗涤用品加入热肥皂水洗除
莓果和酒污点	混合漂渍剂和热的肥皂水来擦拭污点淡化污点后再洗除
墨渍	墨渍可能会不能去除, 混合漂渍剂和热的肥皂水来擦拭污点淡化污点后再洗除可能可以淡化墨渍

#### 备注:

建议定期打扫地板以防止灰尘堆积或各种污渍经过长时间后更加难以清除。如果地板一旦有了污渍而又不确定用某种清洗方法能够很好的清除的情况下, 建议先清洗地板有污渍区域的一小部分做为测试以防止造成地面色差过大, 如果效果良好, 再用这种方法清除其他污渍区域。可以使用水龙头冲洗灰尘污垢, 泥土。

### 关于颜色变化问题:

虽然在生产过程中,我们已经加入了着色剂和稳定剂,但是塑木地板在刚开始在户外使用时可能仍会有一些颜色变化。这是由其原材料植物纤维和塑料纤维的特点决定的。在开始使用后的第一年,颜色会有 10%左右的变化,但是一年之后,变化后的颜色将趋于稳定并维持很长时间。考虑到材料这个特点,我们建议客户在同一时间购买使用在同一个地方的地板。

关于颜色的细微变化,主要体现在颜色变浅这一方面,不在保证范围之内。

### 产品质量保证:

在正常使用范围内,森泰户外塑木地板的使用年限为 15 年以上。

我司生产的产品已经经过了政府相关部门的权威检验,并有其验发的检测报告,如果客户有需要,我们可以提供副本。

### 敬请注意:

尽管塑木材料地板在户外使用中有很多优良的特性,但是它也有缺点----此材料质地较脆,韧性不够,抗撞击性不强。这是由它的内部结构和生产工艺决定的。

针对这一个特点,我司建议:

在使用过程中,请避免重物的撞击或碰撞。在材料的存储,运输,安装过程中,请注意妥善处理,避免它从高处跌落受损。

如欲了解更多关于产品和售后服务的情况,请致电 0086-0572-2127866,或者发电子邮件至:[hzshentai@vip.16.com](mailto:hzshentai@vip.16.com), 联系人:杨小姐.